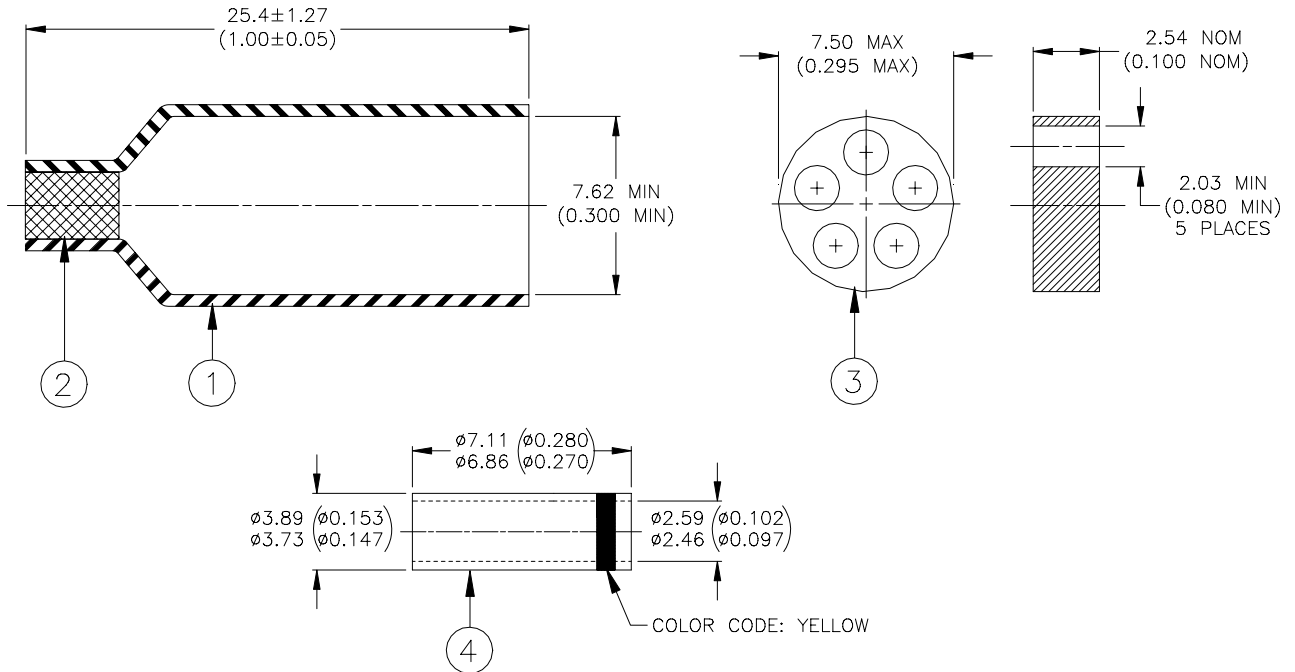


SPECIFICATION CONTROL DRAWING



MATERIALS

- INSULATION SLEEVE: Heat-shrinkable, transparent blue, radiation cross-linked modified polyvinylidene fluoride.
- TOP SEAL: Low outgassing thermoplastic, color-blue.
- MULTI-CONDUCTOR SEAL: Low outgassing thermoplastic, color-natural.
- CRIMP SPLICE: Base Metal: Copper Alloy 102 per ASTM B-75.
Plating: Tin per MIL-T-10727, Type 1.
CMA Range: 1900 - 6755

APPLICATION

- This part is designed to make an immersion resistant stub splice in wires having insulations rated for at least 135°C.
- Wire Accomodation:
Jacket O.D.: 2.01 (0.079) max

Gauge	CMA	Number
16	2426	2
18	1919	2 - 3
20	1216	2 - 5
22	754	3 - 5
- Parts will meet performance requirements of MIL-S-81824/1.

Raychem Interconnect <small>a division of Tyco Electronics</small> 300 Constitution Drive Menlo Park, CA 94025, USA		THERMOFIT DEVICES	TITLE: <p style="text-align: center;">(5 at 2.03 (0.080)) STUB SPLICE SEALING SYSTEM, 16/12 SPLICE</p>				
UNLESS OTHERWISE SPECIFIED DIMENSIONS ARE IN MILLIMETERS. INCHES DIMENSIONS ARE BETWEEN BRACKETS.			DOCUMENT NO.: D-436-0127				
TOLERANCES: 0.00 N/A 0.0 N/A 0 N/A	ANGLES: N/A ROUGHNESS IN MICRON	Raychem reserves the right to amend this drawing at any time. Users should evaluate the suitability of the product for their application.	DCR NUMBER: <p style="text-align: center;">D001279</p>		REPLACES: <p style="text-align: center;">N/A</p>		
DRAWN BY: M. FORONDA	DATE: 14-Nov.-00	PROD. REV. C	DOC ISSUE: 1	SCALE: None	SIZE: A	SHEET: 1 of 1	

If this document is printed it becomes uncontrolled. Check for the latest revision.